



DEPARTMENT OF REGULATORY AND ECONOMIC RESOURCES (RER)
BOARD AND CODE ADMINISTRATION DIVISION

NOTICE OF ACCEPTANCE (NOA)

MIAMI-DADE COUNTY
PRODUCT CONTROL SECTION
11805 SW 26 Street, Room 208
Miami, Florida 33175-2474
T (786) 315-2590 F (786) 315-2599
www.miamidade.gov/economy

Trespa North America, Ltd.
62 Greene Street
New York, NY 10012

SCOPE:

This NOA is being issued under the applicable rules and regulations governing the use of construction materials. The documentation submitted has been reviewed and accepted by Miami-Dade County RER-Product Control Section to be used in Miami Dade County and other areas where allowed by the Authority Having Jurisdiction (AHJ).

This NOA shall not be valid after the expiration date stated below. The Miami-Dade County Product Control Section (In Miami Dade County) and/or the AHJ (in areas other than Miami Dade County) reserve the right to have this product or material tested for quality assurance purposes. If this product or material fails to perform in the accepted manner, the manufacturer will incur the expense of such testing and the AHJ may immediately revoke, modify, or suspend the use of such product or material within their jurisdiction. RER reserves the right to revoke this acceptance, if it is determined by Miami-Dade County Product Control Section that this product or material fails to meet the requirements of the applicable building code.

This product is approved as described herein, and has been designed to comply with the Florida Building Code, including the High Velocity Hurricane Zone.

DESCRIPTION: TS 110 Trespa Meteon FR Composite Wall Panel System

APPROVAL DOCUMENT: Drawing No. **08-00605**, titled "TS110 Trespa Meteon Decorative Panel System 10 mm and 13 mm", sheets 1 through 4 of 4, dated 09/15/2008, with revision B dated 12/04/2013, prepared by Trespa North America, Ltd, signed and sealed by Luis R. Lomas, P.E., bearing the Miami-Dade County Product Control renewal stamp with the Notice of Acceptance number and expiration date by the Miami-Dade County Product Control Section.

MISSILE IMPACT RATING: None

LABELING: Each unit shall bear a permanent label with the manufacturer's name or logo, city, state, model/series, and following statement: "Miami-Dade County Product Control Approved", unless otherwise noted herein.

RENEWAL of this NOA shall be considered after a renewal application has been filed and there has been no change in the applicable building code negatively affecting the performance of this product.

TERMINATION of this NOA will occur after the expiration date or if there has been a revision or change in the materials, use, and/or manufacture of the product or process. Misuse of this NOA as an endorsement of any product, for sales, advertising or any other purposes shall automatically terminate this NOA. Failure to comply with any section of this NOA shall be cause for termination and removal of NOA.

ADVERTISEMENT: The NOA number preceded by the words Miami-Dade County, Florida, and followed by the expiration date may be displayed in advertising literature. If any portion of the NOA is displayed, then it shall be done in its entirety.

INSPECTION: A copy of this entire NOA shall be provided to the user by the manufacturer or its distributors and shall be available for inspection at the job site at the request of the Building Official. This NOA consists of this page 1 and evidence page E-1, as well as approval document mentioned above. The submitted documentation was reviewed by **Carlos M. Utrera, P.E.**



Handwritten signature and date: 02/18/2014

NOA No. 13-1211.12
Expiration Date: January 8, 2019
Approval Date: February 27, 2014
Page 1

NOTICE OF ACCEPTANCE: EVIDENCE SUBMITTED

A. DRAWINGS

1. Drawing No. **08-00605**, titled "TS 110 Trespa Meteon Decorative Panel System 10 mm and 13 mm", sheets 1 through 4 of 4, dated 09/15/08, with revision B dated 12/04/2013, prepared by Trespa North America, Ltd, signed and sealed by Luis R. Lomas, P.E.

B. TESTS "Submitted under NOA # 08-0922.07"

1. Test reports on 1) Uniform Static Air Pressure Test, Loading per FBC TAS 202-94
2) Cyclic Wind Pressure Loading per FBC, TAS 203-94
along with marked-up drawings and installation diagram of 106"x 52" (10mm thick), 143-1/2"x 73" and 200-3/8"x 80-3/8" (13mm thick) Trespa Meteon Wall Panels, prepared by Hurricane Test Laboratory, LLC, Test Report No. **0358-0411-04**, dated 02/25/2005, signed and sealed by Vinu J. Abraham, P.E.
2. Test report on Atmospheric Environmental Exposure of per ASTM G7-05 and Conditioning and Handling of Nonmetallic Materials per ASTM G147-02 of Panels, prepared by South Florida Test Service, Test Report No. **5**, dated 06/09/2007, signed and sealed by Mark Mosbat, P.E.
3. Test report on Maintaining Constant Relative Humidity by Means of Aqueous Solutions per ASTM E 104-02 and Flexural Properties of Unreinforced and Reinforced Plastics and Electrical Insulating Materials per ASTM D 790-07 of 8mm Meteon Panels with Fire Retardant Kraft Paper Core, prepared by Architectural Testing, Inc, Test Report No. **77711.01-106-18**, dated 04/24/2008, signed and sealed by Joseph A. Reed, P.E.

C. CALCULATIONS "Submitted under NOA # 08-0922.07"

1. Anchor verification calculations and structural analysis, complying with F.B.C 2004, dated 09/15/2008, prepared, signed and sealed by Luis R. Lomas, P.E.

D. QUALITY ASSURANCE

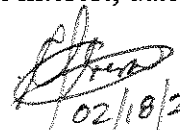
1. Miami-Dade Department of Regulatory and Economic Resources (RER)

E. MATERIAL CERTIFICATIONS

1. None.

F. STATEMENTS

1. Statement letter of code conformance to 2010 FBC and no financial interest, dated 12/03/2013, issued, signed and sealed by Luis R. Lomas, P.E.


02/18/2014

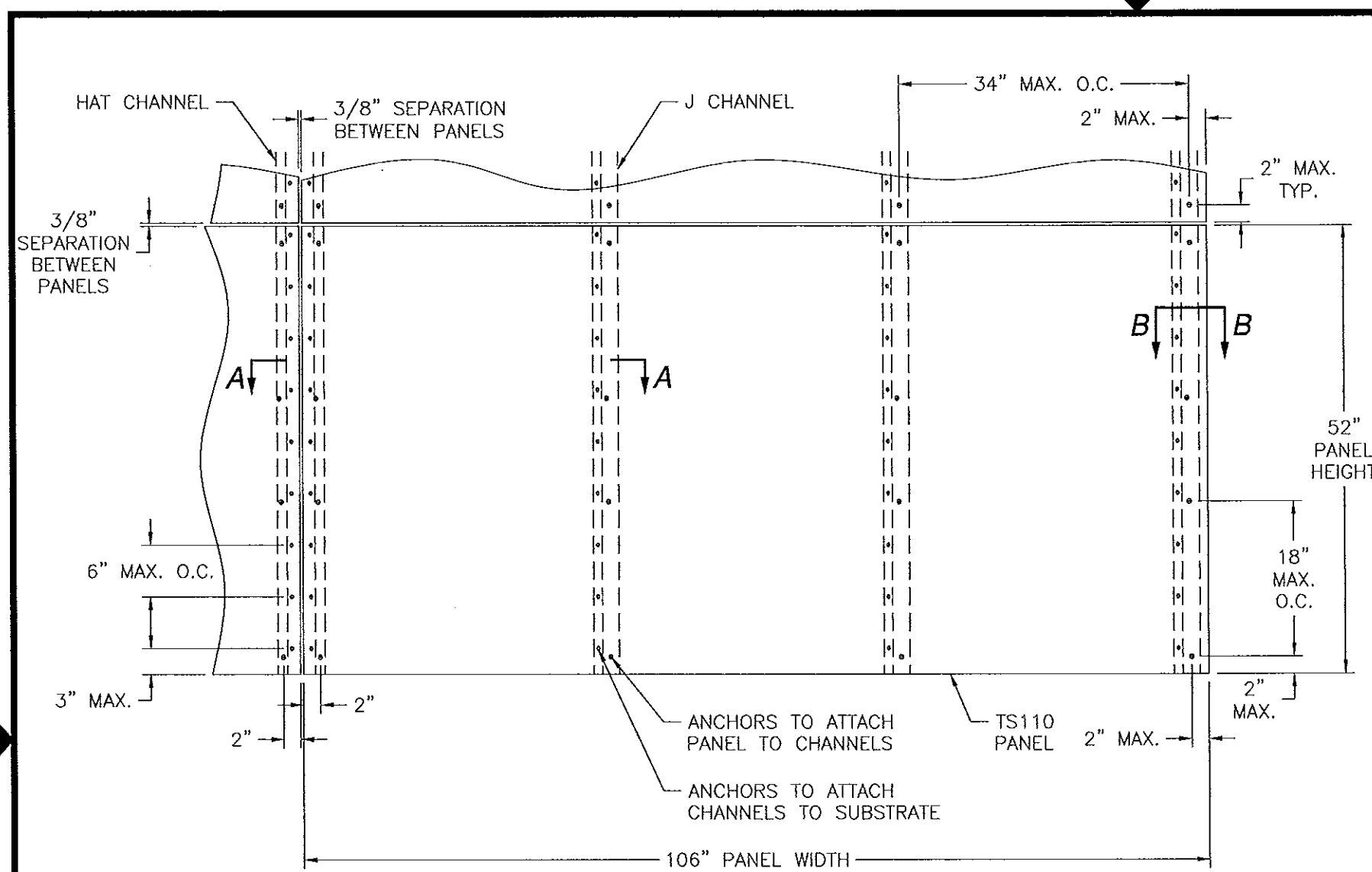
Carlos M. Utrera, P.E.

Product Control Examiner

NOA No. 13-1211.12

Expiration Date: January 8, 2019

Approval Date: February 27, 2014



REVISIONS			
REV	DESCRIPTION	DATE	APPROVED
A	REVISED PER M.D. COMMENTS	11/10/08	R.L.
B	CHANGED ADDRESS	12/04/13	R.L.

- NOTES:
- THE PRODUCT SHOWN HEREIN IS DESIGNED AND MANUFACTURED TO COMPLY WITH REQUIREMENTS OF THE FLORIDA BUILDING CODE.
 - WOOD FRAMING AND MASONRY OPENING TO BE DESIGNED AND ANCHORED TO PROPERLY TRANSFER ALL LOADS TO STRUCTURE. FRAMING AND MASONRY OPENING IS THE RESPONSIBILITY OF THE ARCHITECT OR ENGINEER OF RECORD.
 - CONTRACTOR IS RESPONSIBLE FOR MAINTAINING STRUCTURAL INTEGRITY OF WINDOW OPENING AND ALL WOOD FRAMING AROUND WINDOW.
 - FOR INSTALLATION INTO PLYWOOD SHEATHING USE 1/4" LAG BOLT WITH SUFFICIENT LENGTH TO ACHIEVE A 5/8" MINIMUM EMBEDMENT INTO SUBSTRATE. LOCATE ANCHORS AS SHOWN IN ELEVATIONS AND INSTALLATION DETAILS.
 - FOR INSTALLATION INTO MASONRY/CONCRETE WALL USE 1/4" ITW TAPCON WITH SUFFICIENT LENGTH TO ACHIEVE A 1 1/4" MINIMUM EMBEDMENT INTO SUBSTRATE. LOCATE ANCHORS AS SHOWN IN ELEVATIONS AND INSTALLATION DETAILS.
 - ALL FASTENERS TO BE CORROSION RESISTANT.
 - INSTALLATION ANCHORS SHALL BE INSTALLED IN ACCORDANCE WITH ANCHOR MANUFACTURER'S INSTALLATION INSTRUCTIONS, AND ANCHORS SHALL NOT BE USED IN SUBSTRATES WITH STRENGTHS LESS THAN THE MINIMUM STRENGTH SPECIFIED BELOW:
 - A. WOOD - MINIMUM SPECIFIC GRAVITY OF G=0.42
 - B. CONCRETE - MINIMUM COMPRESSIVE STRENGTH OF 3,200 PSI.
 - C. MASONRY - STRENGTH CONFORMANCE TO ASTM C-90, GRADE N, TYPE 1 (OR GREATER)
 - ALLOWABLE STRESS INCREASE OF 1/3 WAS NOT USED IN THE DESIGN OF THE PRODUCT SHOWN HEREIN. WIND LOAD DURATION FACTOR Cd=1.6 WAS USED FOR WOOD ANCHOR CALCULATIONS.
 - PANEL MATERIAL: TRESPA METEON KRAFT FR CORE PANEL 10MM AND 13MM THICK. MATERIAL IS BASED ON THERMOSETTING RESINS HOMOGENOUSLY REINFORCED WITH WOOD FIBERS AND MANUFACTURED UNDER PRESSURE AND TEMPERATURE. PANEL CONSISTS OF 70% SOFTWOOD FIBERS AND 30% THERMOSETTING RESINS. THERMOSETTING RESINS ARE CURED USING ELECTRON RAYS (ELECTRON BEAM CURING) PROCESS DEVELOPED BY TRESPA NORTH AMERICA, LTD.
 - EXTRUSION MATERIAL: ALUMINUM 6063-T6.
 - THIS PRODUCT SHALL BE INSTALLED ONTO EXISTING APPROVED WALLS CONSISTING OF CONCRETE, C-90 CONCRETE BLOCK OR 5/8" MIN. PLYWOOD SHEATHING.
 - EXTERIOR FINISH IS DEFINED AS ANY WEATHER BARRIER, SHEATHING, WEATHER PROOFING, INSULATION, AND/OR EXTERIOR SURFACE FINISH OVER WHICH THE PRODUCT IN THIS DOCUMENT IS TO BE INSTALLED. EXTERIOR FINISH MUST COMPLY WITH THE REQUIREMENTS OF THE FLORIDA BUILDING CODE AND IS NOT PART OF THIS APPROVAL.

**TS110 10MM PANEL
INSTALLATION ELEVATION**

APPROVED PANEL SIZES: 106"x52", 143"x73",
100"x73" AND 120"x60"

DESIGN PRESSURE RATING	IMPACT RATING
±75PSF	NONE

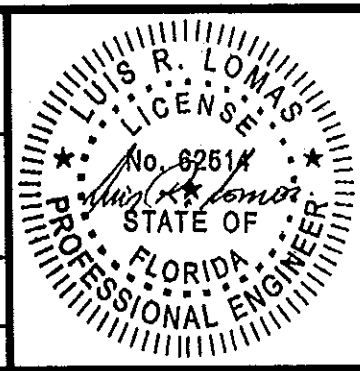
TABLE OF CONTENTS	
SHEET NO.	DESCRIPTION
1	10 MM ELEVATION AND GENERAL NOTES
2	13MM ELEVATION
3-4	INSTALLATION ELEVATION AND COMPONENTS

PRODUCT RENEWED
as complying with the Florida
Building Code
Acceptance No 13-1211.12
Expiration Date 01/08/2019
By *[Signature]*
Miami Dade Product Control

TRESPA NORTH AMERICA, LTD
62 GREENE ST.
NEW YORK, NY 10012

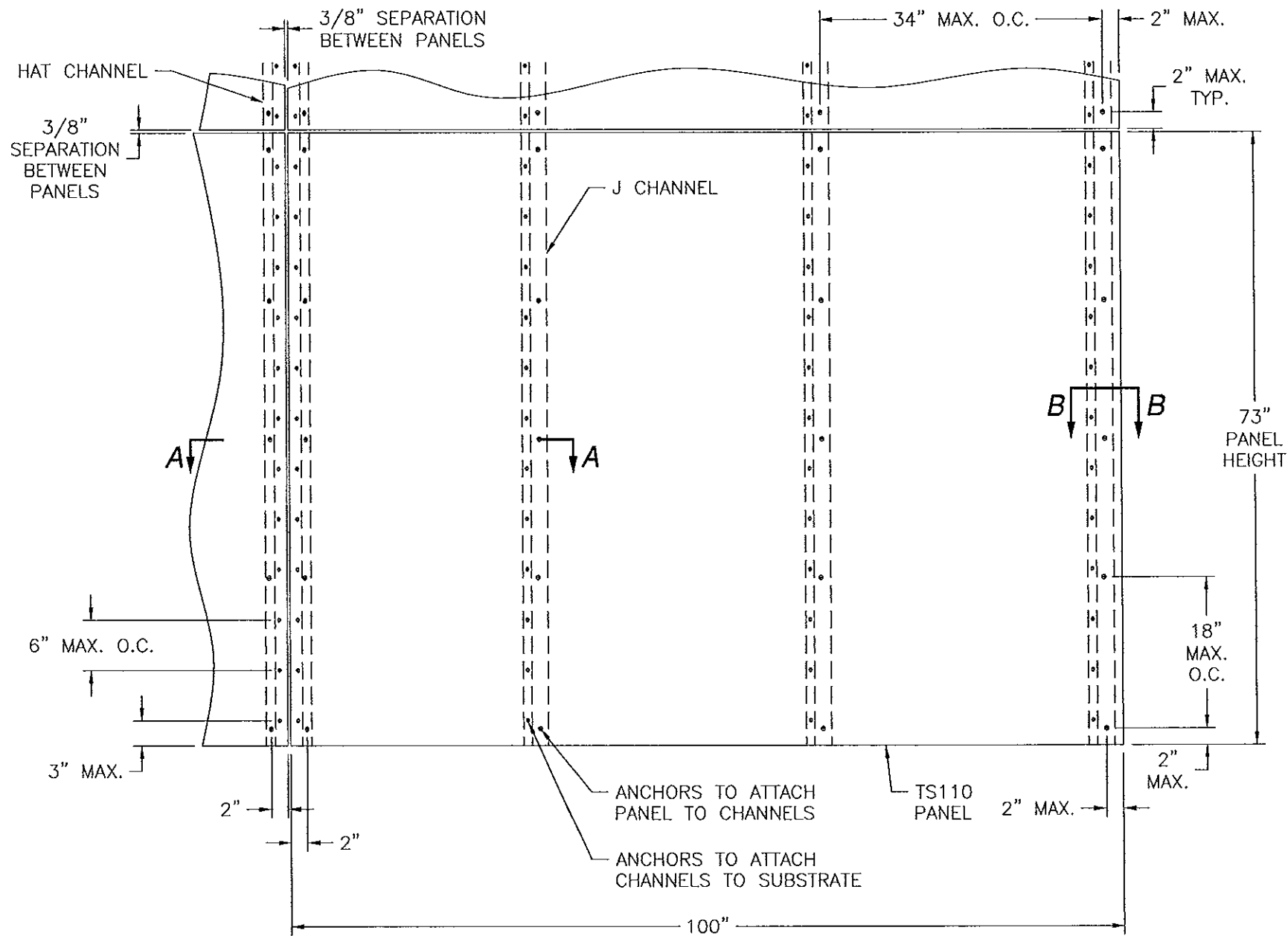
TS110 TRESPA METEON DECORATIVE PANEL SYSTEM
10MM AND 13MM
10 MM ELEVATION AND GENERAL NOTES

DRAWN: R.L.	DWG NO. 08-00605	REV B
SCALE NTS	DATE 9/15/08	SHEET 1 OF 4



SIGNED: 12/04/2013

REVISIONS			
REV	DESCRIPTION	DATE	APPROVED
A	REVISED PER M.D. COMMENTS	11/10/08	R.L.
B	CHANGED ADDRESS	12/04/13	R.L.



TS110 13MM PANEL
INSTALLATION ELEVATION

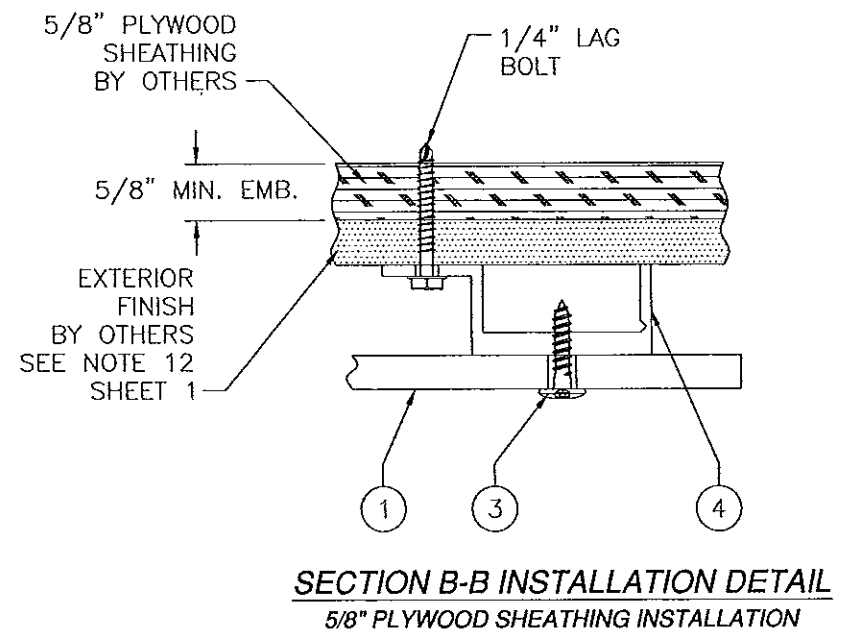
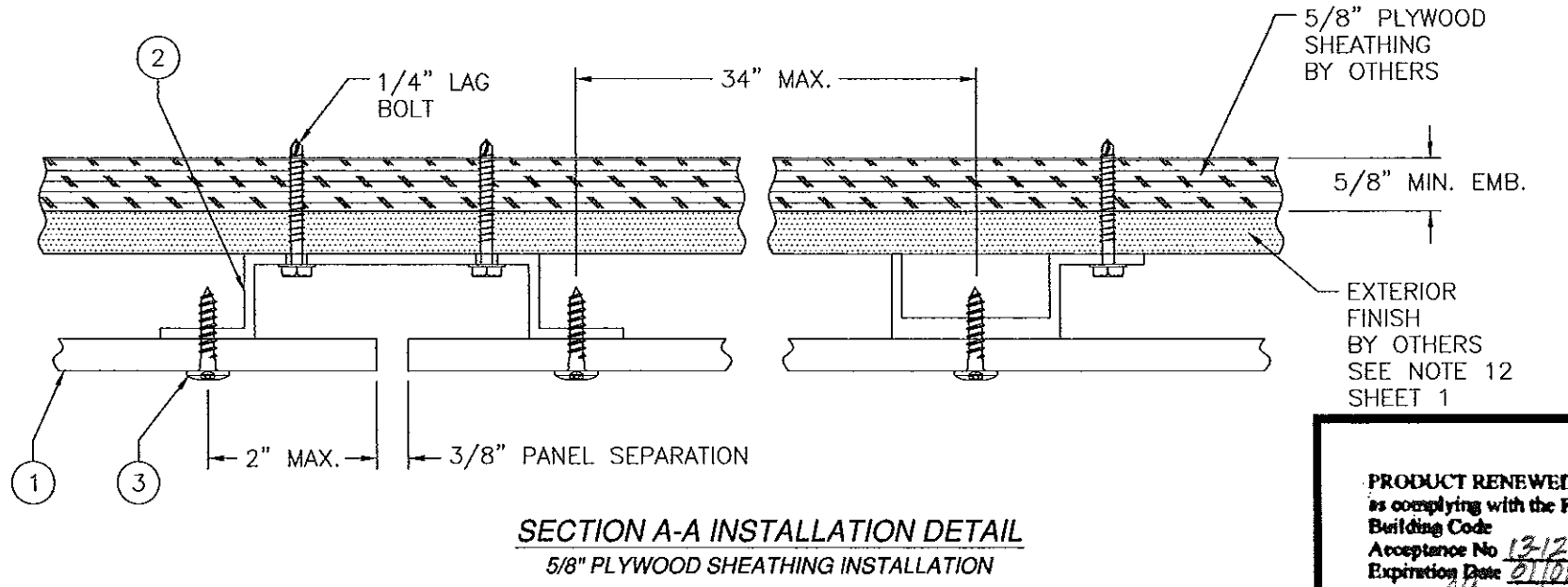
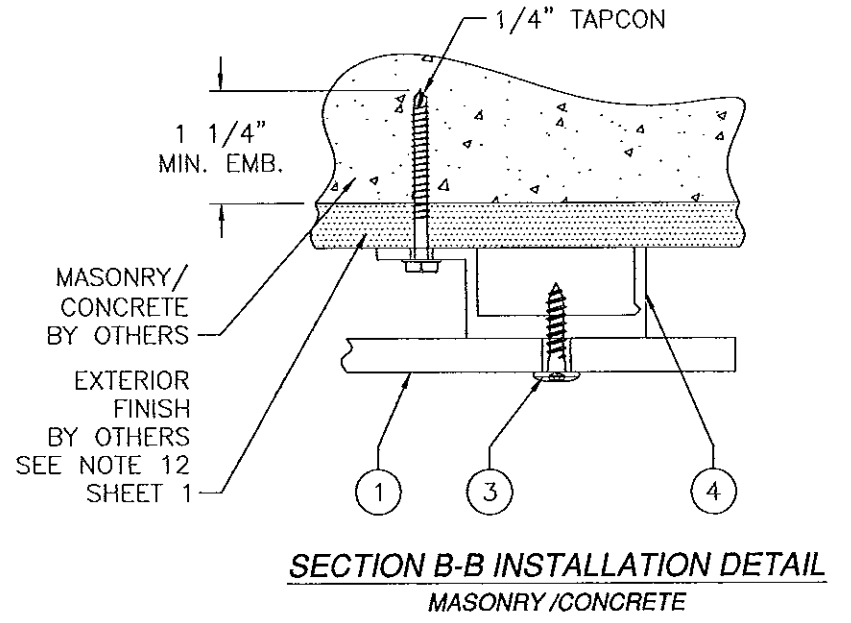
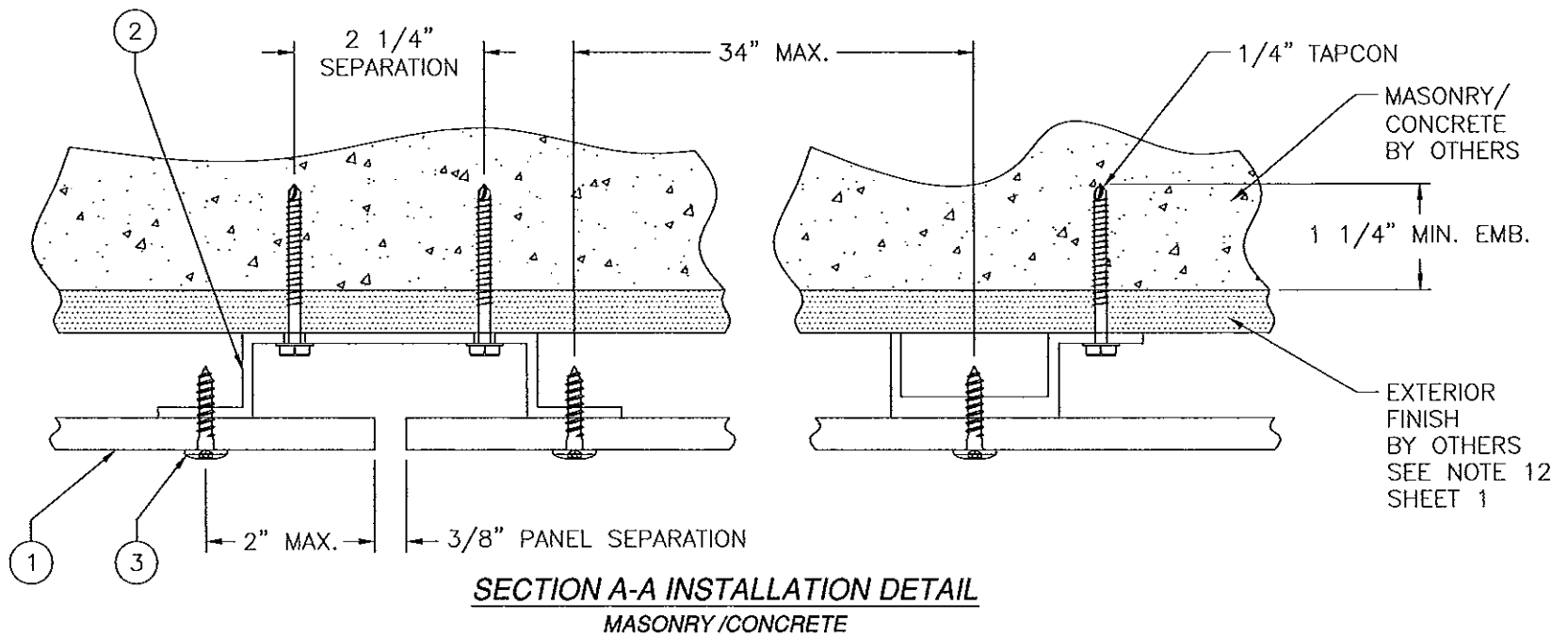
APPROVED PANEL SIZES: 143"x73", 100"x73" AND 120"x60"

DESIGN PRESSURE RATING	IMPACT RATING
±75PSF	NONE

PRODUCT RENEWED as complying with the Florida Building Code Acceptance No 13-1211.12 Expiration Date 01/08/2019 By <i>[Signature]</i> Miami Made Product Control	TRESPA NORTH AMERICA, LTD 62 GREENE ST. NEW YORK, NY 10012		
	TS110 TRESPA METEON DECORATIVE PANEL SYSTEM 10MM AND 13MM 13 MM ELEVATION		
DRAWN: R.L.	DWG NO. 08-00605	REV B	SIGNED: 12/04/2013
SCALE NTS	DATE 9/15/08	SHEET 2 OF 4	

PARTS LIST				
NO.	PART NUMBER	DESCRIPTION	MANUFACTURER	MATERIAL
1	TS110	METEON PANEL 10MM & 13MM	TRESPA NA	
2	110-001	HAT CHANNEL	SIERRA ALUMINUM	6063-T6
3	100-000	1" PANEL FASTENER	SFS INTEC	SST
4	110-000	J CHANNEL	SIERRA ALUMINUM	6063-T6

REVISIONS			
REV	DESCRIPTION	DATE	APPROVED
A	REVISED PER M.D. COMMENTS	11/10/08	R.L.
B	CHANGED ADDRESS	12/04/13	R.L.

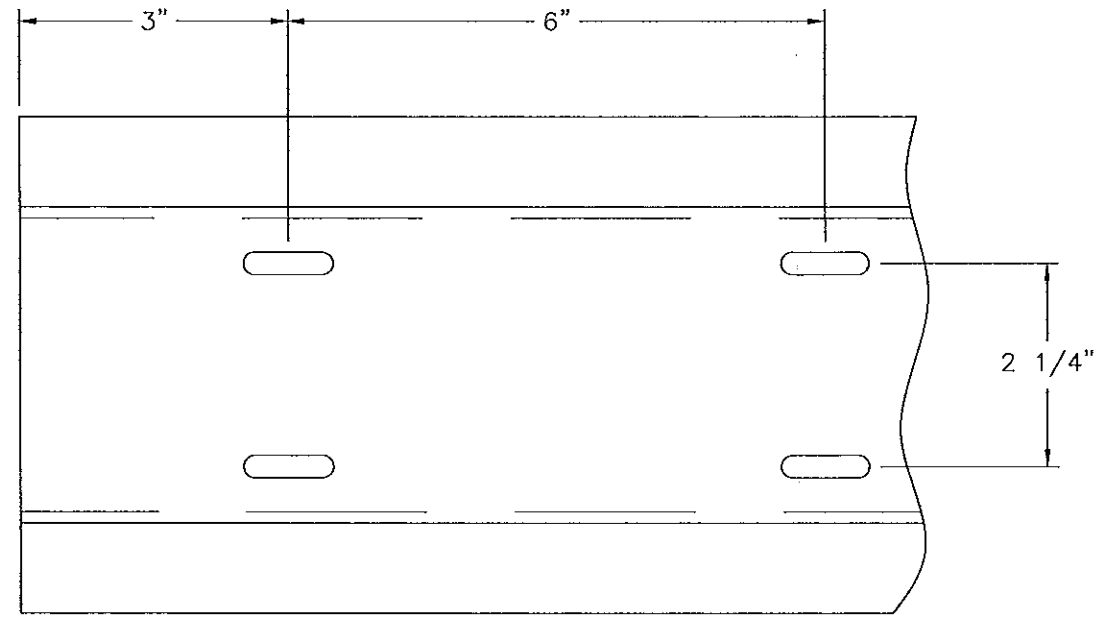
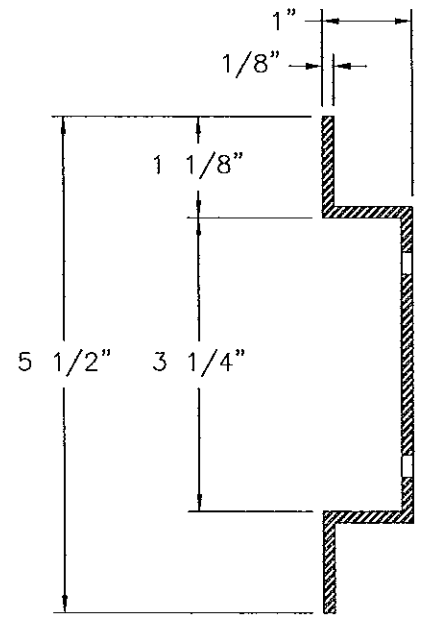


SIGNED: 12/04/2013

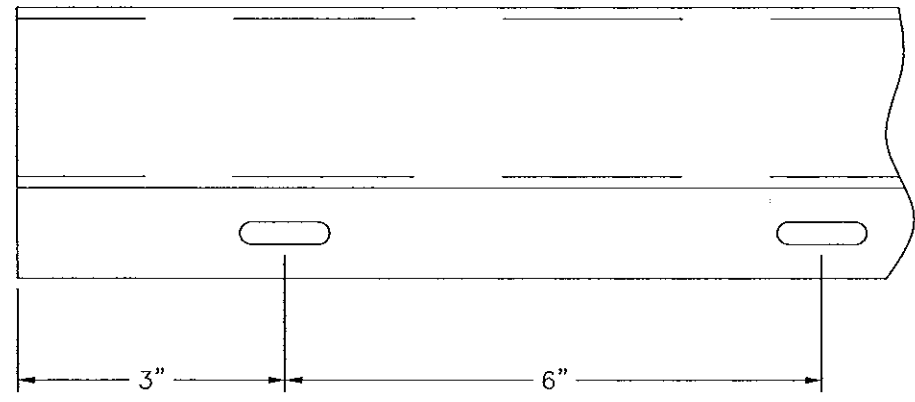
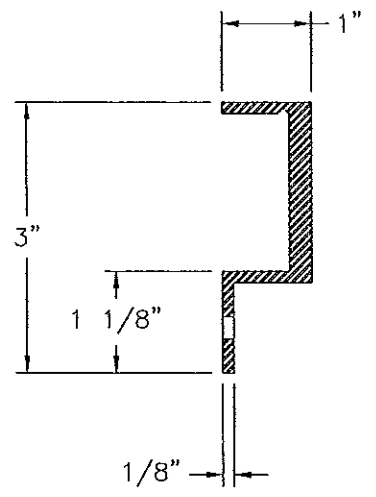
PRODUCT RENEWED as complying with the Florida Building Code Acceptance No <u>13121112</u> Expiration Date <u>01/08/2019</u> By <u>[Signature]</u> Miami Trade Product Control	TRESPA NORTH AMERICA, LTD 62 GREENE ST. NEW YORK, NY 10012		
	TS110 TRESPA METEON DECORATIVE PANEL SYSTEM 10MM AND 13MM INSTALLATION DETAILS		
DRAWN: R.L.	DWG NO. 08-00605	REV B	SCALE NTS DATE 9/15/08 SHEET 3 OF 4

REVISIONS

REV	DESCRIPTION	DATE	APPROVED
A	REVISED PER M.D. COMMENTS	11/10/08	R.L.
B	CHANGED ADDRESS	12/04/13	R.L.



② **HAT CHANNEL**
ALUMINUM 6063-T6 .125" THICK
10' MAX. LENGTH



④ **J CHANNEL**
ALUMINUM 6063-T6 .125" THICK
10' MAX. LENGTH

SIGNED: 12/04/2013

PRODUCT RENEWED
as complying with the Florida
Building Code
Acceptance No. 13-1211-12
Expiration Date 01/08/2019
By *[Signature]*
Miami Dade Product Control

TRESPA NORTH AMERICA, LTD
62 GREENE ST.
NEW YORK, NY 10012

TS110 TRESPA METEON DECORATIVE PANEL SYSTEM
10MM AND 13MM
COMPONENTS

DRAWN: R.L.	DWG NO. 08-00605	REV B
----------------	---------------------	----------

SCALE NTS	DATE 9/15/08	SHEET 4 OF 4
-----------	--------------	--------------

